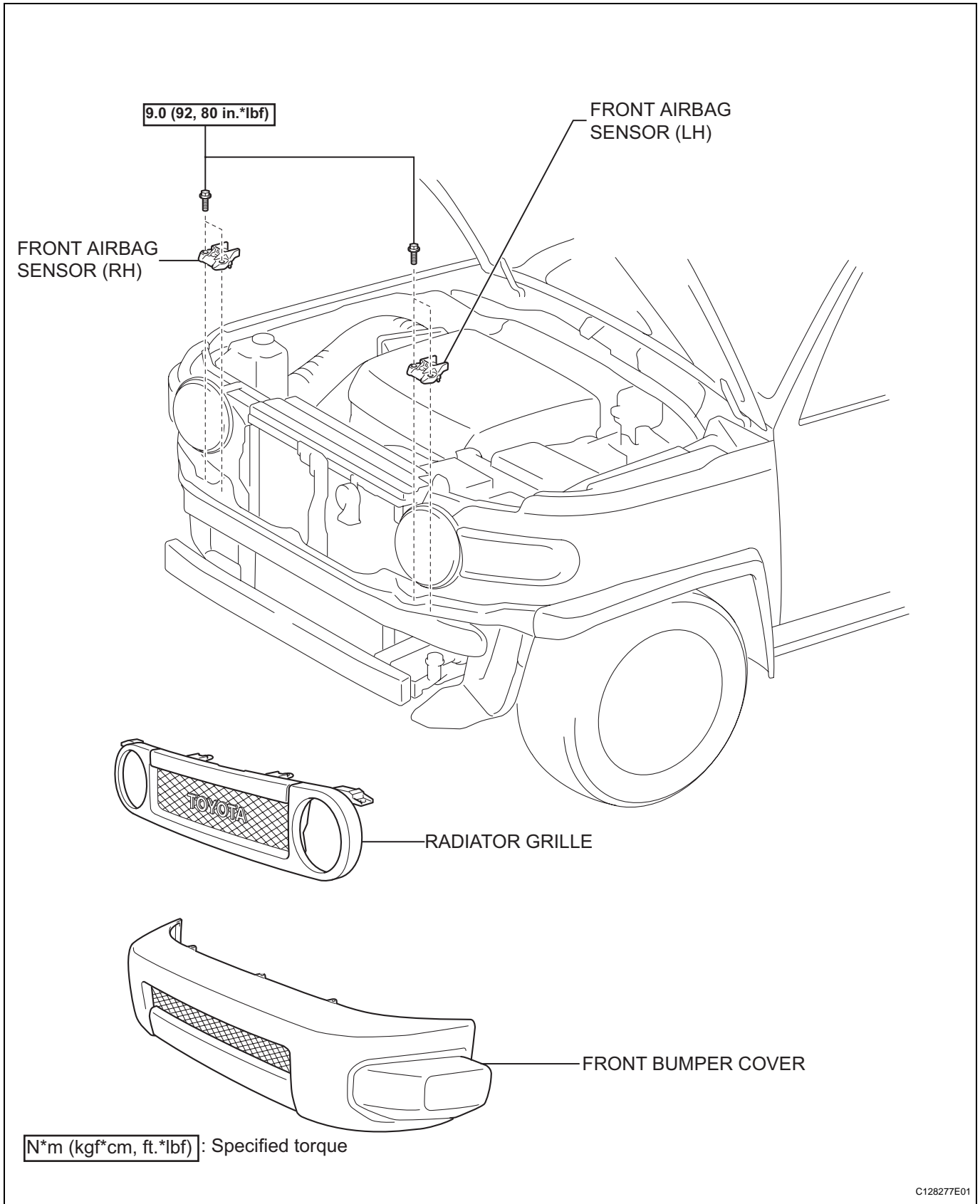


FRONT AIRBAG SENSOR

COMPONENTS



ON-VEHICLE INSPECTION

1. **INSPECT FRONT AIRBAG SENSOR (VEHICLE NOT INVOLVED IN COLLISION)**
 - (a) Perform a diagnostic system check (See page [RS-36](#)).
2. **INSPECT FRONT AIRBAG SENSOR (VEHICLE INVOLVED IN COLLISION AND AIRBAG HAS NOT DEPLOYED)**
 - (a) Perform a diagnostic system check (See page [RS-36](#)).
 - (b) When the front bumper of the vehicle or the area around it is damaged, check if there is any damage to the front airbag sensor. If either of the front airbag sensors has defects as mentioned below, replace it with a new one:
 - Cracks, dents or chips on the sensor housing.
 - Cracks or other damage to the connector.
 - Peeling off of the label or damage to the serial number.

CAUTION:

For front airbag sensor removal and installation procedures, see pages [RS-394](#) and [RS-395](#). Be sure to follow the correct removal and installation procedures.

3. **INSPECT FRONT AIRBAG SENSOR (VEHICLE INVOLVED IN COLLISION AND AIRBAG HAS DEPLOYED)**

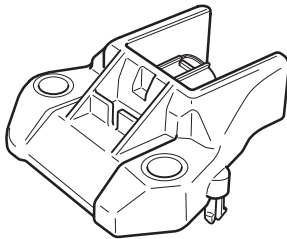
- (a) Replace the front airbag sensor.

CAUTION:

For front airbag sensor removal and installation procedures, see pages [RS-394](#) and [RS-395](#). Be sure to follow the correct removal and installation procedures.

HINT:

The front airbag sensor on the impacted side should be replaced after the steering pad or front passenger airbag assembly has deployed.



T

C128244